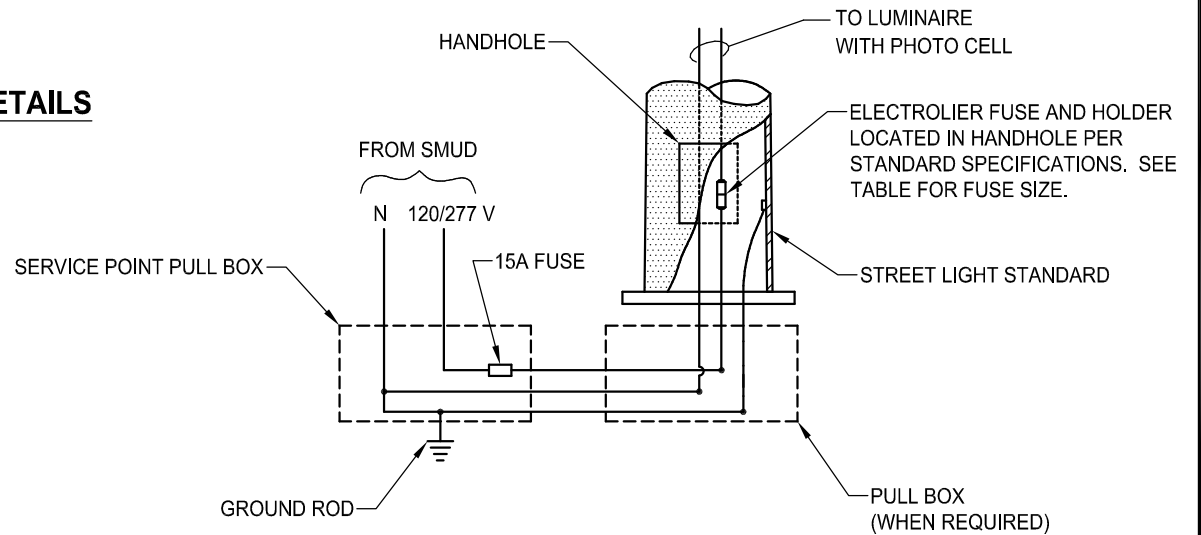


SERVICE POINT PULL BOX DETAILS

LAMP WATTAGE	ELECTROLIER FUSE SIZE
200 WATT OR LESS	6 AMP
250 WATT-400 WATT	10 AMP

NOTES:

1. FUSE SHALL BE A MIDGET FERRULE TYPE, RATED AT 600 VOLTS.
2. ATTACH GROUND CONDUCTOR TO THE ELECTROLIER.
3. ALL PULL BOXES SHALL HAVE PROVISIONS FOR LOCKING.



WIRING DIAGRAM

DATE: 01/17/2007		NOT TO SCALE	
REVISION	BY	APPROVED	DATE

CITY OF ELK GROVE - PUBLIC WORKS

IN-LINE FUSE REQUIREMENTS

APPROVED BY:

CITY ENGINEER

DRAWING NUMBER

SL - 12

